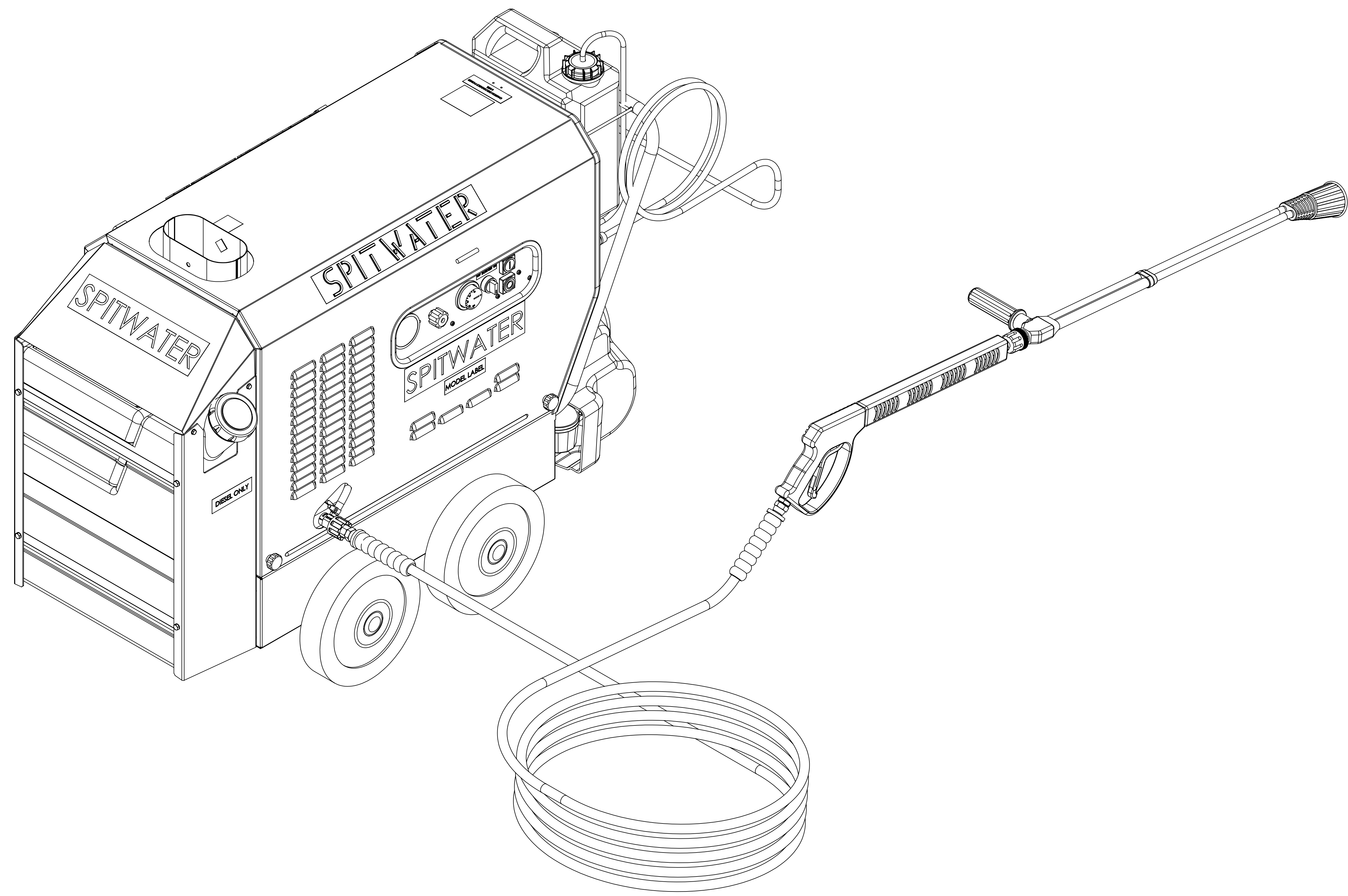


PROPRIETARY, CONFIDENTIAL AND COMPLIANCE: THE INFORMATION CONTAINED IN THIS DRAWING IS THE SOLE PROPERTY OF SPITWATER AUSTRALIA. ANY REPRODUCTION IN PART OR AS A WHOLE WITHOUT THE WRITTEN PERMISSION OF SPITWATER AUSTRALIA Pty.Ltd. IS PROHIBITED. ANY CHANGES REQUIRE ENGINEERING OFFICE APPROVAL PRIOR TO IMPLEMENTATION. IF IN DOUBT - CONSULT YOUR TEAM LEADER OR PRODUCTION MANAGER.

ITEM NO.	PART NUMBER	MATERIAL	DESCRIPTION	QTY.
1	48952-A		FRAME COMPLETE	1
2	48030-B01		DIESEL TANK	1
3	48032-A01		BREAK TANK	1
4	PA29016020		RGO FLOAT VALVE 10bar 60° C 29l/m @ 2bar	1
5	48875-A	70075/T	SPLASH PROTECTION	1
6	70200-Z	70043/A	WASHER ALUMINIUM 3/4"	1
7	48784		SUCTION FILTER 3/8" F BSPP	1
8	44005	70291/R	ELBOW 3/8" F BSPP - 11mm HOLE	1
9	70559		TAIL PIECE COMPLETE 3/4" F BSPP - SNAP ON	1
10	48553		TANK RETAINER COMPLETE	2
11	44541	70291/M-14mm BRASS HEXAGON	HOSE BARB 1/8" M BSPT T - 1/4" HOSE BARB	2
12	48775	70291/P	HOSEBARB 3/8" M BSPT - 1/2" BARB	1
13	47036-D	70291/U	HOSEBARB 3/8" M BSPP - 3/4" HOSEBARB	1
14	48699		DIESEL FILTER MEDIUM	1
15	47039	70291/M	HOSE BARB 1/4" M BSPT-1/4" HOSE BARB	2
16	70036-N01100	70036/N	HOSE PETROCAR 10L/L dn 6 X 13 1100mm	1
17	70036-N01100	70036/N	HOSE PETROCAR 10L/L dn 6 X 13 1100mm	1
18	70036-N00330	70036/N	HOSE PETROCAR 10L/L dn 6 X 13 330mm	1
19	44906-D	70044/G	INSULATION	1
20	48508		CYLINDER COMPLETE	1
21	47134	70291/U-22mm BRASS HEXAGON	NIPPLE 1/2" M BSPT - 3/8" M BSPT	1
22	44890	70075/T	WASHER 50mm STAINLESS STEEL	1
23	47211		SUMP COMPLETE	1
24	72034	70291/U	NIPPLE 3/8" F BSPP - 3/8" M BSPT	1
25	46213		MG 1000 VALVE 3/8" M BSPP - 1/4" M BSPP	1
26	PA21003025		FIXED VENTURI INJECTOR 2.5 mm	1
27	44901-A		SUPERWOOL PLUS BLANKET DISC NO HOLE	1
28	44901-D	44901/E	SUPERWOOL PLUS BLANKET STRIP	1
29	47110-C		COIL LARGE 3/8" M BSPP INLET 1/2" F BSPP	1
30	44899-B	44900	SUPERWOOL PLUS BLANKET STRIP	1
31	44901		SUPERWOOL PLUS BLANKET DISC WITH HOLE	1
32	44910		STACK COMPLETE-LARGE	1
33	44091		BURNER SUPPORT COMPLETE	1
34	44101		GASKET - BURNER SW HT PAPER	1
35	44902-E03		BURNER WITH NOZZLE 1.75 230V 50HZ 1PH	1
36	48311		MOTOR 7.5kw 4POLE-MEC132-H/SHAFT24mm	1
37	48247		FLANGE SOGA 4.0-5.5-7.5kw 4P (47 INTER)	1
38	IPP44		WS 202 DX MALE SHAFT	1
39	44011		ELBOW 1/2" BSPP-3/4" HOSEBARB	1
40	47026		SWIVEL 3/8" M BSPP - 3/8" F BSPP 60° CONE	1
41	48752	70921/R	NIPPLE 3/8" M BSPT - 3/8M BSPP 60° SEAT	1
42	IPA027-F		AUTOMATIC PRESS. REG. K5.2 L/L	1
43	74800	70329/Z-30mm BRASS ROUND	HOSE BARB 3/4" F BSPP - 1/2" BARB	1
44	48799-A	70036/E	HOSE AQUAGEN 1/2" 700mm	1
45	46618-00550	70036/J	INLET HOSE 3/4" 550mm	1
46	48706-Q		HP HOSE 0.42m 3/8" FBSPP-3/8" FBSPP 400bar	1
47	48705-C		HP HOSE 0.24m 1/4" FBSPP-1/4" FBSPP 250bar	1
48	70308		ELECTRICAL PANEL ASSEMBLY	1
49	48970		WATER TANK COVER	1
50	48543		TANK PROTECTION COMPLETE	1
51	49000		COVER COMPLETE	1
52	48440	70595	PROTECTIVE MOULDING HOT WATER	1
53	48442	70595	PROTECTIVE MOULDING	1
54	46236		FASTENING KNOB	6
55	48876		LANCE HOLDER	2
56	48048		BASKET COMPLETE	1
57	47002-A		DETERGENT BOTTLE 10L NATURAL	1
58	46241		2 STEP PLASTIC DET FILTER 1/4" HOSE BARB	1
59	48750-B		CAP WITH BREATHER D90 BLACK	1

ITEM NO.	PART NUMBER	MATERIAL	DESCRIPTION	QTY.
60	48071		BURNER PROTECTION COVER	1
61	PA26025050		ARI B M22 3PCS SCREW-TYPE CPL.-3/8M BSP	1
62	46609		H/P HOSE 10m 3/8" FBSPP-3/8" F BSPP	1
63	PA30209230		VEGA S3 SS & QR 40l/min 310bar 160°C	1
64	PA41092200		LD9 DUAL LANCE SS 40l/min 250bar 160° C	1
65	70014-6515		HIGH PRESSURE NOZZLE 1/4" M NPT 065 15°	1
66	M0124710120		LOW PRESSURE NOZZLE 600 50° 50bar 150°C	1
67	70572		CABLE TIE G300x7N	1
68	33265		WHEEL AC 250 250mm - BORE Ø20mm	4
69	33265-B		HUB CAP COVER G48 BLACK	4
70	33265-C		HUB CAP BLOCK 20 Ø20.0mm	4
71	70050-F		FULL NUT M8 x 1.25 - 6	10
72	70053-G		HEXAGON DOMED CUP NUTS M6 x 1.0	2
73	199180700		SCREW M 6x10 UNI-5739	4
74	70104-I		SCREW HEX HEAD M6 x 1.00 x 16 -4.8	4
75	70106-P		SCREW HEX HEAD M8 x 1.25 x 25 - 4.6	4
76	70122-P		SOCKET CAP SCREW M8 x 1.25 x 25 - 12.9	4
77	70141-D		PHILLIPS PAN HEAD M4 x 0.7 x 8	4
78	70196		HEX HEAD SELF-DRILL SCREW COLLAR 4.8x16	26
79	70200-E		FLAT WASHER 6.50 x 13 x 1.20	4
80	70200-F		FLAT WASHER 6.50 x 16 x 1.20	2
81	70200-HH		FLAT WASHER 8.50 x 25 x 1.60	10
82	70200-MM		FLAT WASHER 1/2" x 1 1/8" x 1.6 GAUGE	1
83	70200-P		STANDARD FLAT WASHER 20.50 x 35 x 3	4
84	70210-B		INTERNAL TOOTH LOCK WASHER M 4	4
85	70210-D		INTERNAL TOOTH LOCK WASHER M 6	8
86	70220-F		SPRING LOCK WASHER M8	14
87	70230-B		POP RIVET 4.8 x 1 8 HEAD 14	2
88	70597-A		HOSE CLAMP 304SS 16-8mm 8mm WIDE	8
89	70597-D		EAR CLAMP 304SS21-18.5mm 7mm WIDE	2
90	70597-E		HOSE CLAMP 304SS 32-17mm x 12.7mm WIDE	2
91	20200		AUSTRALIAN MADE LABEL	1
92	20201		CAUTION HOT LABEL 38x38 BLACK/YELLOW	1
93	20205		PARTS & SERVICE LABEL	1
94	20222		CAUTION DISCONNECT POWER LABEL	2
95	20240		SERIAL NUMBER LABEL	1
96	20241		MODEL LABEL	1
97	20246		DIESEL ONLY LABEL	1
98	20247-A		BURNER LABEL	1
99	20252		SPITWATER LARGE LOGO LABEL	2
100	48667		PALLET COMPLETE	1
101	33915		PACKAGING IP60 SW2021	1
102	20242		PACKAGING LABEL	2
103	72029		AXLE BRACKET-FOR PALLET	2
104	72030		PACKING BRACKETS	6
105	70036-H00300		HOSE CALORWATER 120° L/L 6x13 MM	1



REV.	SERIAL NUMBER/AMENDMENT	BY:	CHK	APP	DATE
F	18133480	Bypass fitting 48772 replaced by 74800	HS		2/08/2021
E	18130261	IPA135-A & 47036-B are replaced by IPA027-F & 48772	HS		05/02/2021
D	18128372	Diesel filter & Safety valve changed	HS	DB	21/01/2021
C	18123475	PA29028020 CHANGED TO PA29016020	P.S		28/11/2019
B	18115227	IPA135-A3 CHANGED TO IPA135-A	P.S		9/08/2018
A		ISSUED FOR CONSTRUCTION	DN		7/04/2016

NOTES:

	DATE	NAME
APPROVED		
CHECKED		
DRAWN	2/08/2021	Harry

SCALE  
1:4

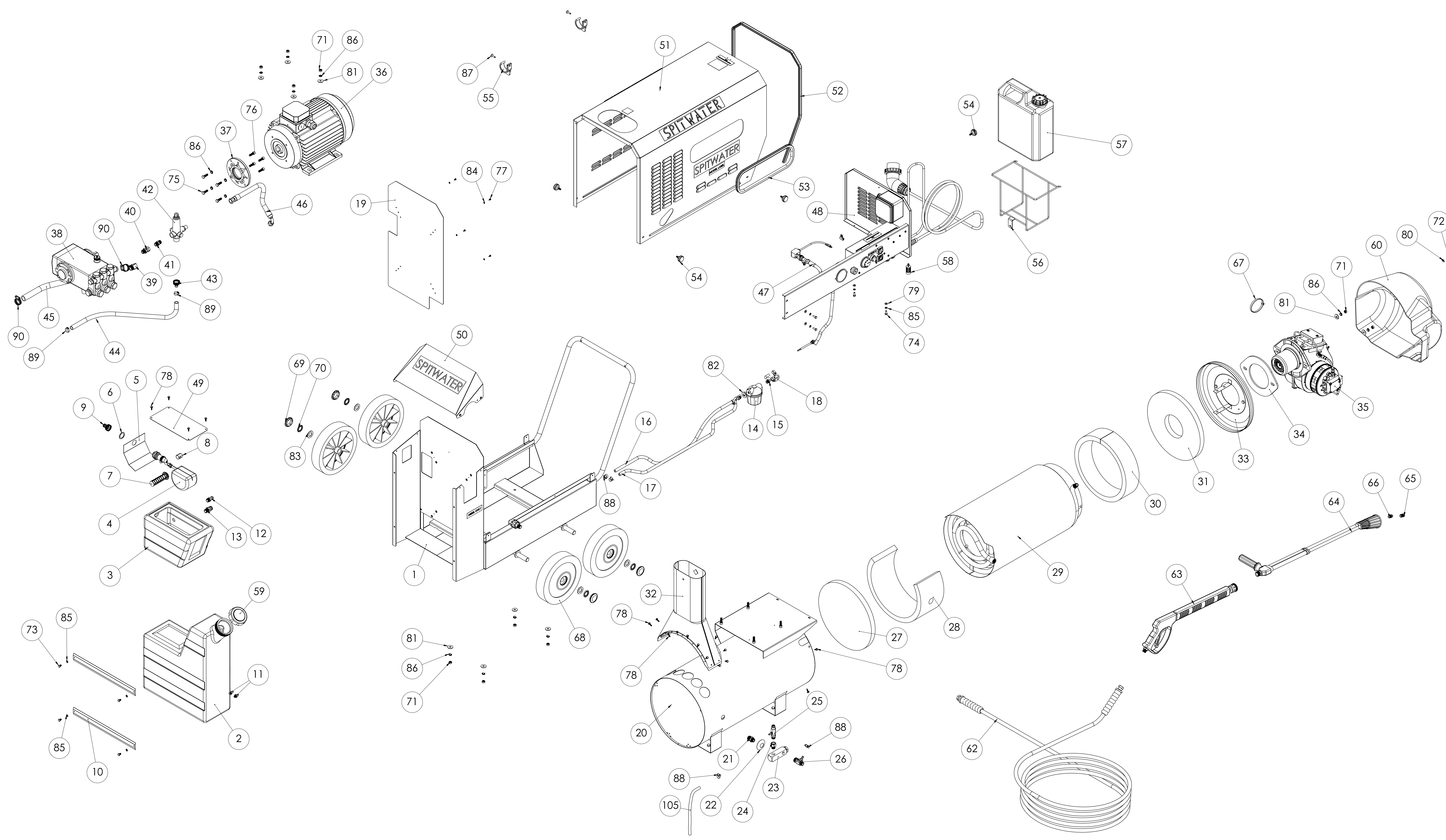
THIRD ANGLE

**SPITWATER AUSTRALIA**

HEAD OFFICE AND MANUFACTURING PLANT  
953 METRY STREET, ALBURY,  
NSW 2640, AUSTRALIA  
PH. 02 60257255 FAX. 02 60401187  
E-MAIL: enquiries@spitwater.com  
WEB SITE: www.spitwater.com

DESCRIPTION: SW2021 3000PSI 21L/M 10HP 3PH 415/50	PART No. <b>SHW78</b>
MATERIAL:	QTY: -
TIME OF PRODUCTION:	ATOT:- FINISH:

**SHEET 1 OF 3**



REV.	SERIAL NUMBER/AMENDMENT	DATE	CHK.	APP.
F	18133480	2/08/2021	HS	
E	18130261	05/02/2021	HS	
D	18128372	21/01/2021	HS	DB
C	18123475	28/11/2019	P.S	
B	18115227	9/08/2018	P.S	
A	18115227	7/04/2016	DN	

NOTES:

	DATE	NAME
APPROVED		
CHECKED		
DRAWN	2/08/2021	Harry

SCALE  
1:6

THIRD ANGLE

**SPITWATER®**  
**AUSTRALIA**

HEAD OFFICE AND MANUFACTURING PLANT  
953 METRY STREET, ALBURY,  
NSW 2640, AUSTRALIA  
PH. 02 60257255 FAX. 02 60401187  
E-MAIL: enquiries@spitwater.com  
WEB SITE: www.spitwater.com

DESCRIPTION:  
SW2021 3000PSI 21L/M 10HP 3PH 415/50

MATERIAL:

TIME OF PRODUCTION:

ATOT-FINISH:

PART No.  
**SHW78**

QTY: -

**SHEET 2 OF 3**

DO NOT SCALE DRAWING

